

## The Kramer RC-20TB 2-Button Contact Closure Switch

Congratulations on purchasing your Kramer **RC-20TB** single slot wall plate insert *2-Button Contact Closure Switch* which is ideal for using as a means of remote control in boardrooms and conference rooms. It can be used with the **VP-81SID** step-in switcher or any other Kramer product with contact closure control.

The **RC-20TB** front panel has two momentary switching buttons (labeled A and B). On the rear are remote momentary contact closure terminal block connectors that connect to a remote switch terminal block connector.

[Figure 1](#) shows the **RC-20TB** front panel and the pinout on the rear:

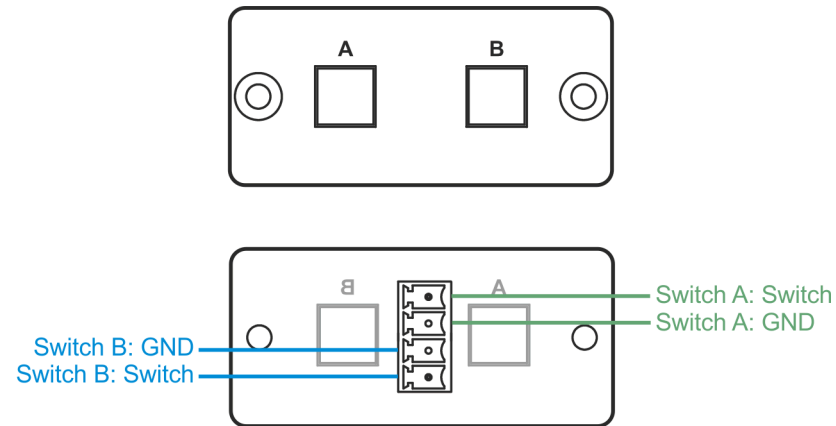


Figure 1: RC-20TB Front Panel and Rear

The **RC-20TB** can remotely switch the inputs of a machine via its remote contact closure terminal blocks. For example, you can connect the **RC-20TB** to the REMOTE contact closure terminal block connectors of the Kramer **VS-162AVM 16x16 Audio-Video Router with Preview Monitor** (download the up-to-date Kramer user manual at: [www.kramerelectronics.com](http://www.kramerelectronics.com)), to remotely switch one of two inputs to the output by momentarily pressing button A or button B, respectively.

In the example illustrated in [Figure 2](#) two **SID-H HDMI Step In Commander** units are connected to **RC-20TB**.

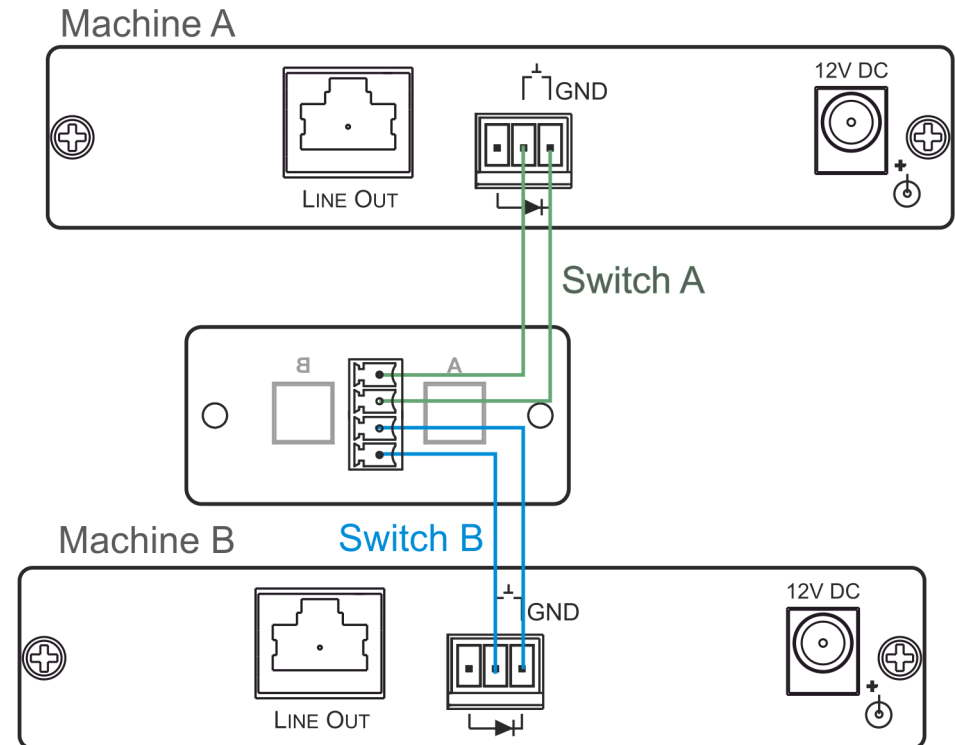


Figure 2: RC-20TB connected to two SID-H Units

To connect the **RC-20TB**, as illustrated in the example in [Figure 2](#) and [Figure 3](#), connect the remote terminal block connectors on each SID-H machine to the A and B terminal block connectors of the **RC-20TB**.

Momentarily pressing button A or B on the **RC-20TB** activates the STEP-IN process (allowing this machine's input to be selected on the **VP-81SID**) in Machine A or Machine B, respectively.



KRAMER ELECTRONICS LTD.

# User Manual

MODEL:

## **RC-20TB** 2-Button Contact Closure Switch

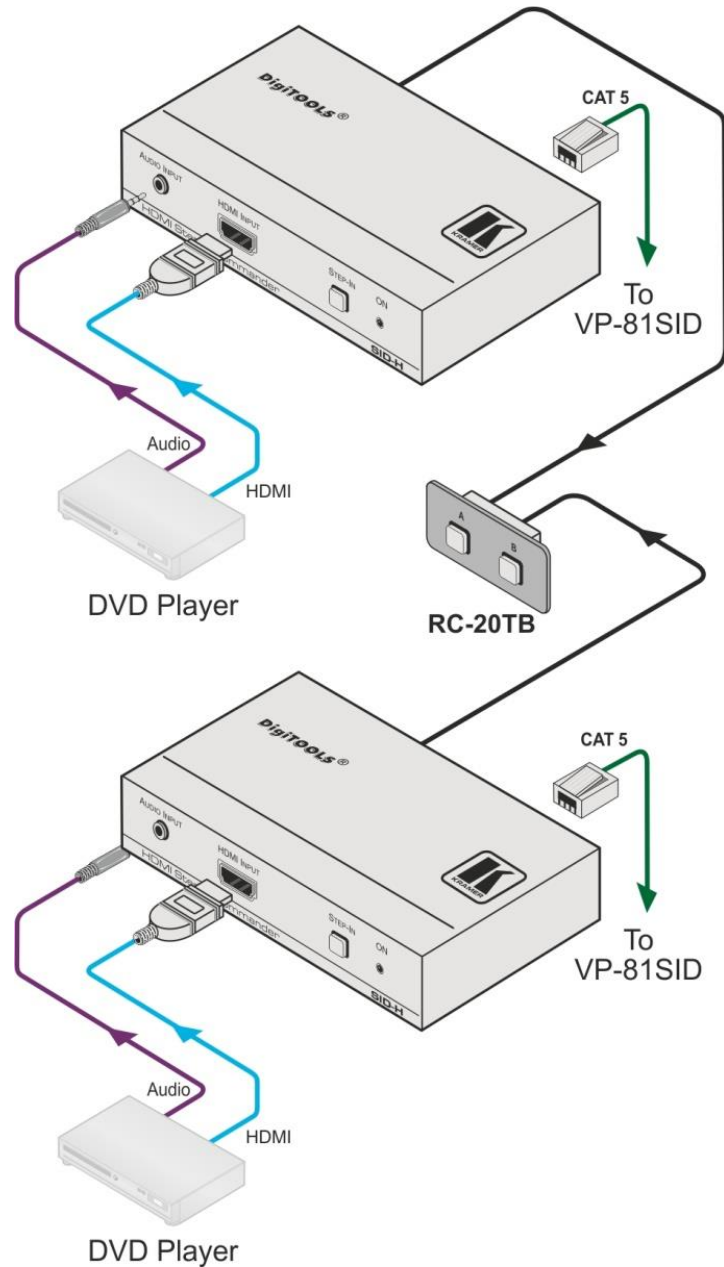


Figure 3: Connecting the: RC-20TB

For the latest information on our products and a list of Kramer distributors, visit our Web site where updates to this user manual may be found.

We welcome your questions, comments, and feedback.

Web site: [www.kramerelectronics.com](http://www.kramerelectronics.com)

E-mail: [info@kramerel.com](mailto:info@kramerel.com)



### SAFETY WARNING

Disconnect the unit from the power supply before opening and servicing

P/N: 2900-000757 Rev 4



P/N: 2900-000757



Rev: 4